



Summary

This MEGApix[®] IVA[™] IP camera is your gateway to powerful video analytics features. The 2.1MP/1080p pinhole IP camera is an NDAA-compliant ATM camera that delivers crystal-clear real-time 30fps images at close range. The MEGApix IVA cameras have a powerful engine to detect and classify people and vehicles in real-time. IVA+ upgrade offers advanced Video Content Analysis detection capabilities. The camera's small, compact design and sturdy main body make it ideal for banks and credit unions looking for reliable and discreet surveillance at ATMs.

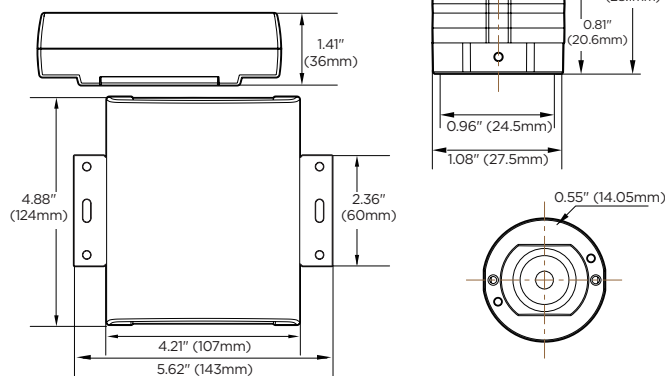
Features

- 2.1MP/1080p 1/2.8" image sensor at real-time 30fps
- Intelligent Video Analytics (IVA)
- Extended Intelligent Video Analytics (IVA+ required)
- Seamless integration and control of IVA rules with DW Spectrum[®] IPVMS
- Reduce false alarms
- Increase your recording storage with logic rules and smart recording
- 2.8mm fixed lens
- True Wide Dynamic Range (WDR)
- H.265, H.264, MJPEG codecs with simultaneous streaming
- ATM pinhole camera
- Smart DNR[™] 3D digital noise reduction
- Programmable privacy zones
- Auto gain control (AGC)
- Backlight compensation (BLC)
- Auto white balance (AWB)
- Motion detection
- Micro SD/SDHC/SDXC class 10 card slot (card not included)
- Alarm sensor input
- Relay output
- Web server built-in
- PoE class 3 and DC12V
- ONVIF conformant, profile S
- NDAA-compliant
- UL listed
- 5 year warranty



Dimensions

Unit: Inch (mm)



Specifications



| IMAGE | |
|---|---|
| Image sensor | 2.1MP/1080p 1/2.8" CMOS |
| Total pixels | 1945(H) X 1109(V) |
| Minimum scene illumination | 0.065 lux (color) |
| LENS | |
| Focal length | 2.8mm, F2.2 |
| Lens type | Fixed lens |
| HFOV/VFOV | 106.6°/55.7° |
| I/O | |
| Alarm in/out | 1/1 |
| OPERATIONAL | |
| Intelligent Video Analytics | IVA: intrusion, line crossing, counting line, loitering, enter, exit, tamper IVA+: object removed, tailgating, direction, stopped, appear, disappear, object left, logical rules |
| Shutter mode | Auto, manual, anti-flicker, slow shutter |
| Shutter speed | 1/15 - 1/32000 |
| Slow shutter | 2X, 3X, 5X, 6X, 7.5X, 10X |
| Auto gain control | Auto |
| Day and night | Color only |
| Smart DNR [™] 3D Digital Noise Reduction | 3D-DNR |
| Wide Dynamic Range (WDR) | True WDR, 120dB |
| Privacy zones | 16 programmable privacy masks |
| Backlight compensation (BLC) | Yes |
| Mirror and flip | Yes |
| Alarm notifications | Email, alarm output, FTP server or SD card recording |
| Memory slot | Micro SD up to 128GB (card not included) |
| NETWORK | |
| LAN | RJ45 (10/100Base-T) |
| Video compression type | H.265, H.264, MJPEG |
| Resolution | H.265: 2.1MP/1080p, 720p, 640x360, CIF, SIF H.264: 2.1MP/1080p, 720p, 640x360, CIF, SIF MJPEG: 2.1MP/1080p, 720p, 800x600, 768x432, 704x576, 480p, VGA, 640x360, CIF, SIF |
| Frame rate | Up to 30fps at all resolutions |
| Video bitrate | 100Kbps - 10Mbps, multi-rate for preview and recording |
| Bitrate control | Multi Streaming CBR/VBR at H.264, H.265 (Controllable frame rate and Bandwidth) |
| Streaming capability | Dual-stream at different rates and resolutions |
| Protocol | IPv4: TCP/IP, UDP, AutoIP, RTP (UDP/TCP), RTSP, NTP, HTTP, HTTPS, SSL, DNS, DDNS, DHCP, FTP, SMTP, ICMP, SNMPv1/v2/v3 (MIB-2), ONVIF |
| Security | HTTPS (TLS), IP filtering, 802.1x, digest authentication (ID/PW) |
| ONVIF conformance | Yes |
| Web viewer | OS: Windows [®] , Mac [®] OS, Linux [®] Browser: IE [®] , Google Chrome [®] , Mozilla Firefox [®] , Safari [®] |
| Video management software | DW Spectrum [®] IPVMS |
| ENVIRONMENTAL | |
| Operating temp and humidity | -4°F - 122°F (-20°C - 50°C), 10-90% (non-condensing) |
| Other certifications | CE, FCC, RoHS, UL listed |
| ELECTRICAL | |
| Power requirement | DC 12V, PoE IEEE 802.3af Class 3. (Adapter not included) |
| Power consumption | DC12V: 3.6W, PoE: 4W |
| MECHANICAL | |
| Material | Sensor Camera: Aluminum die-casting Main unit: Plastic |
| Dimensions | Main unit: 4.21" x 4.88" x 1.41" (107 x 124 x 36mm) Camera sensor: 1.1" x 1.08" (28.1 x 27.5mm) Cable length: 21.32ft (6.5m) |
| Weight | 0.92 lbs (0.42 kg) |
| Warranty | 5 year warranty |