

Extended Range Antennas

SK-91ERSD 315MHz

SK-93ERSD 433.92MHz

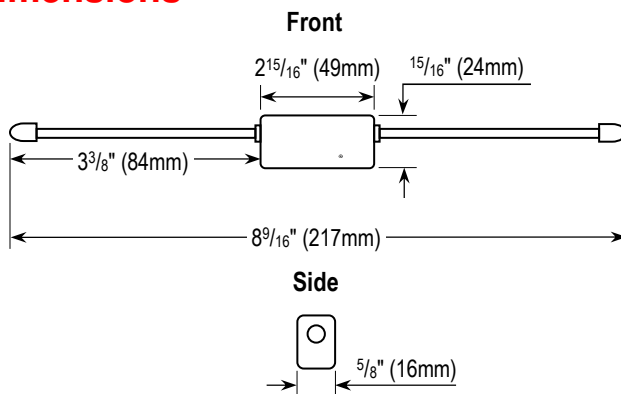
Features

- Use with SECO-LARM RF receivers:
 - **SK-910RBQ** Single-channel receiver, 315MHz
 - **SK-910RB2Q** Two-channel receiver, 315MHz
 - **SK-910R3Q** Three-channel receiver, 315MHz
 - **SK-910R4Q** Four-channel receiver, 315MHz
 - **SK-910R-4Q*** Single-channel receiver, 433.92MHz
 - **SK-910R2-4Q** Two-channel receiver, 433.92MHz
 - **SK-910R4-4Q*** Four-channel receiver, 433.92MHz
- Easily plugs into a connector on the receiver's motherboard – no extra wiring needed
- Includes 9-foot cable and cable clamp
- Double-stick mounting tape included



SK-93ERSD shown

Dimensions



Also Available from SECO-LARM

Single-Channel Receiver



SK-910RBQ

Two-Channel Receiver



SK-910RB2Q

Three-Channel Receiver



SK-910R3Q

Four-Channel Receiver



SK-910R4Q

Specifications

Model	SK-91ERSD	SK-93ERSD*
Power supply	5VDC ±10%	
Current consumption	3mA	
Sensitivity	-108dBm	
Frequency	315MHz	433.92MHz
Bandwidth	±500KHz (-3dB)	
Operating Temperature	-40°~167° F (-40°~75° C)	

*Special order item only. Contact SECO-LARM for more details. †SK-93ERSD only

SECO-LARM® U.S.A., Inc.

16842 Millikan Avenue, Irvine, CA, 92606

Phone: (949) 261-2999 | (800) 662-0800 Fax: (949) 261-7326

Website: www.seco-larm.com Email: sales@seco-larm.com



Copyright © 2021 SECO-LARM U.S.A., Inc. All rights reserved.
 All trademarks are the property of SECO-LARM U.S.A., Inc. or their respective owners.
 The SECO-LARM policy is one of continual development. For that reason, SECO-LARM reserves the right to change prices and specifications without notice. SECO-LARM is not responsible for misprints.

SECO-LARM® ENFORCER® CRIMEBUSTER® CBA® SLI®

PI_SK-9xERSD_210423_ML.docx

Antenas de Distancia Extendidas

SK-91ERSD 315MHz

SK-93ERSD 433.92MHz

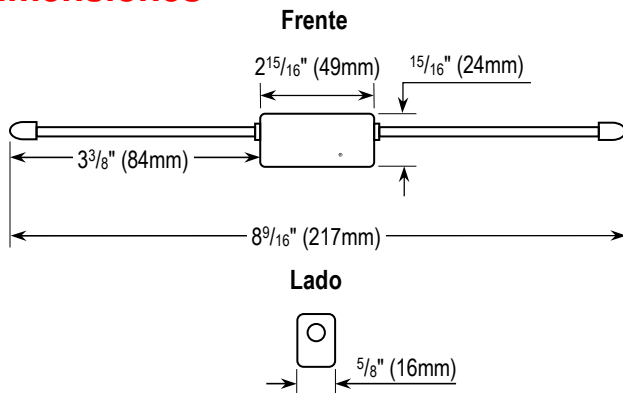
Características

- Uso con receptores de RF SECO-LARM:
 - **SK-910RBQ** Receptor de un solo canal, 315MHz
 - **SK-910RB2Q** Receptor de dos canales, 315MHz
 - **SK-910R3Q** Receptor de tres canales, 315MHz
 - **SK-910R4Q** Receptor de cuatro canales, 315MHz
 - **SK-910R-4Q*** Receptor de un solo canal, 433.92MHz
 - **SK-910R2-4Q** Receptor de dos canales, 433.92MHz
 - **SK-910R4-4Q*** Receptor de cuatro canales, 433.92MHz
- Se conecta fácilmente a un conector en la placa base del receptor, sin necesidad de cableado adicional
- Incluye cable de 9 pies y abrazadera de cable
- Incluye cinta de montaje de doble palo



SK-93ERSD mostrado

Dimensiones



Especificaciones

Modelo	SK-91ERSD	SK-93ERSD*
Fuente de alimentación	5VCC ±10%	
Consumo de corriente	3mA	
Sensibilidad	-108dBm	
Frecuencia	315MHz	433.92MHz
Ancho de banda	±500KHz (-3dB)	
Temperatura de funcionamiento	-40°~167° F (-40°~75° C)	

* Artículo de pedido especial solamente. Contáctese con SECO-LARM para más detalles.

También disponible en SECO-LARM

Receptor de un solo canal

Receptor de dos canal



SK-910RBQ



SK-910RB2Q

Receptor de tres canal

Receptor de cuatro canal



SK-910R3Q



SK-910R4Q

†SK-93ERSD solamente

SECO-LARM® U.S.A., Inc.

16842 Millikan Avenue, Irvine, CA, 92606

Phone: (949) 261-2999 | (800) 662-0800 Fax: (949) 261-7326

Website: www.seco-larm.com Email: sales@seco-larm.com



Copyright © 2021 SECO-LARM U.S.A, Inc. Todos los derechos reservados.
 Todas las marcas comerciales son propiedad de SECO-LARM U.S.A., Inc. o sus respectivos propietarios.
 La póliza de SECO-LARM es de desarrollo y mejora continua. Por esa razón, SECO-LARM se reserva el derecho de cambiar las especificaciones y los precios sin previo aviso. SECO-LARM tampoco es responsable de errores de impresión.

SECO-LARM® ENFORCER® CRIMEBUSTER® CBA® SLI®

PL_SK-9xERSD_210423_ML.docx